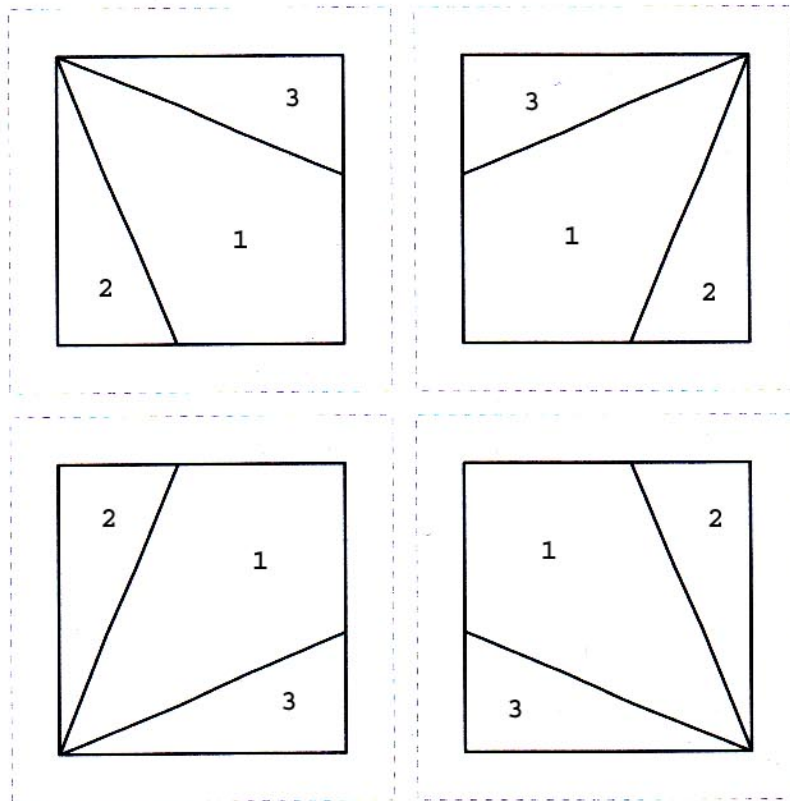


### Mini Kaleidoscope block



To get accurate sizing make sure you download the PDF pattern to your desktop before sending it to print. Also make sure that you select print at original size in the print dialogue box.